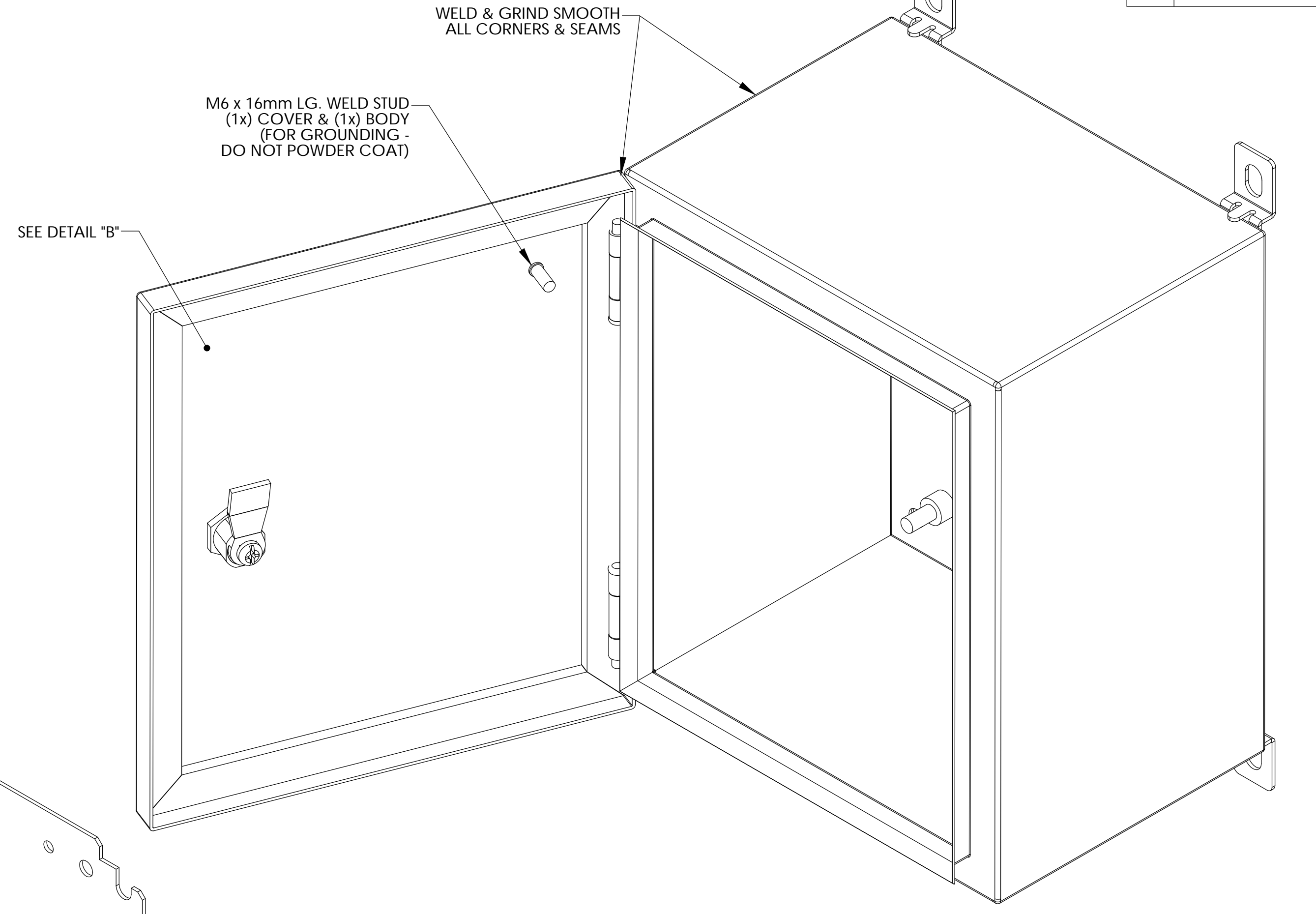
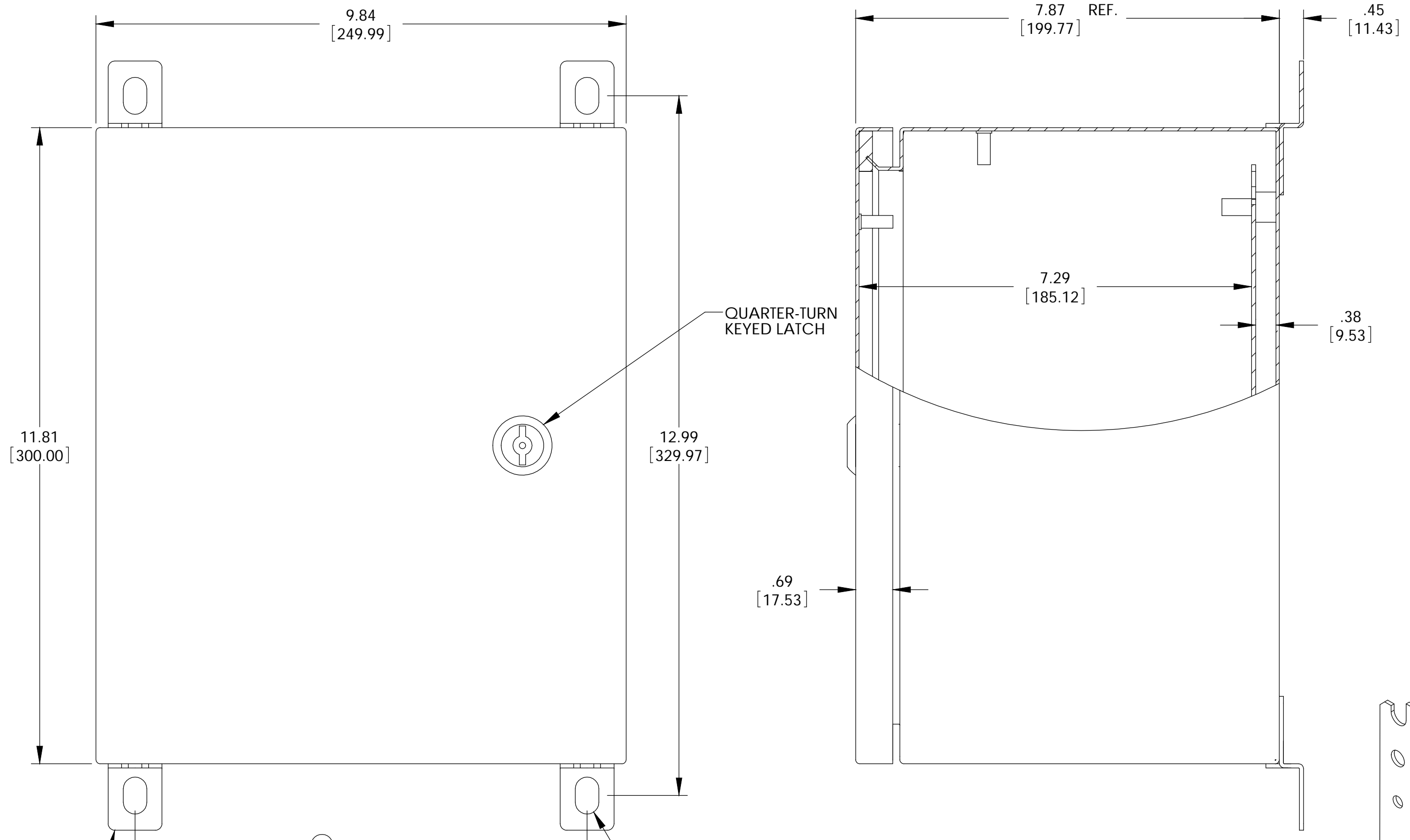
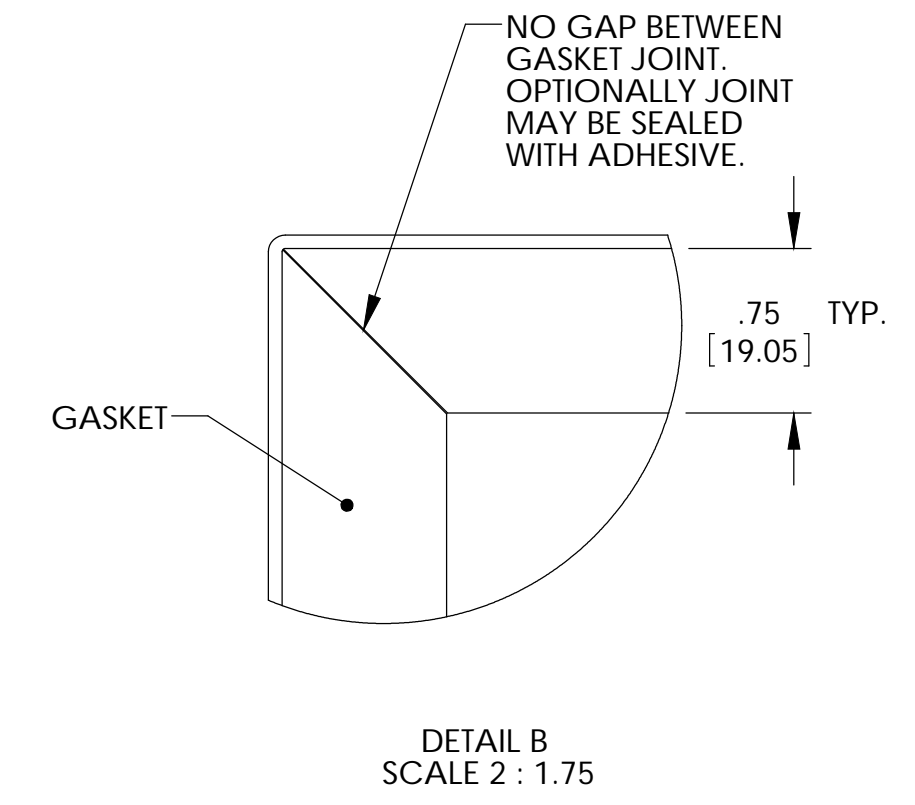
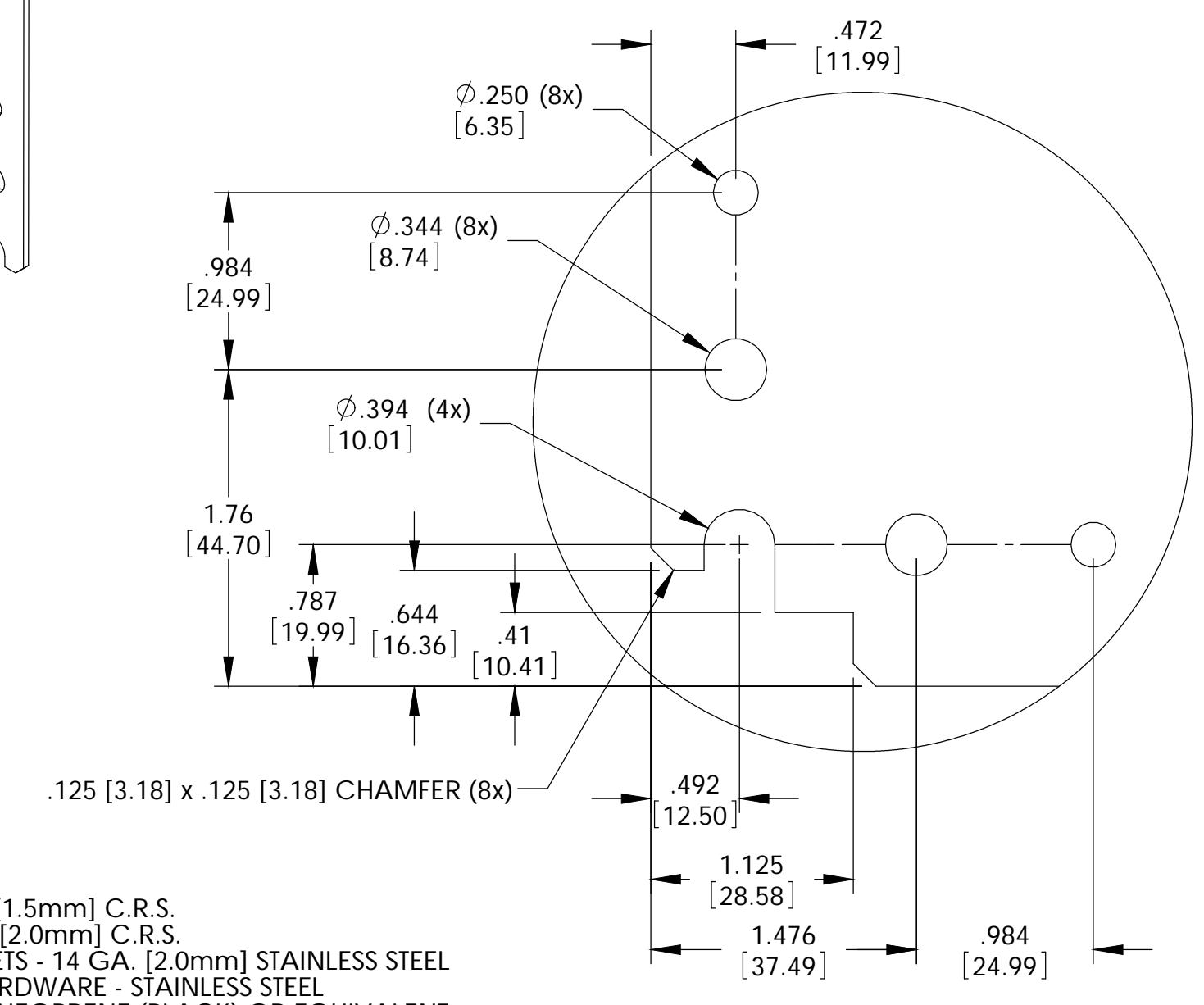
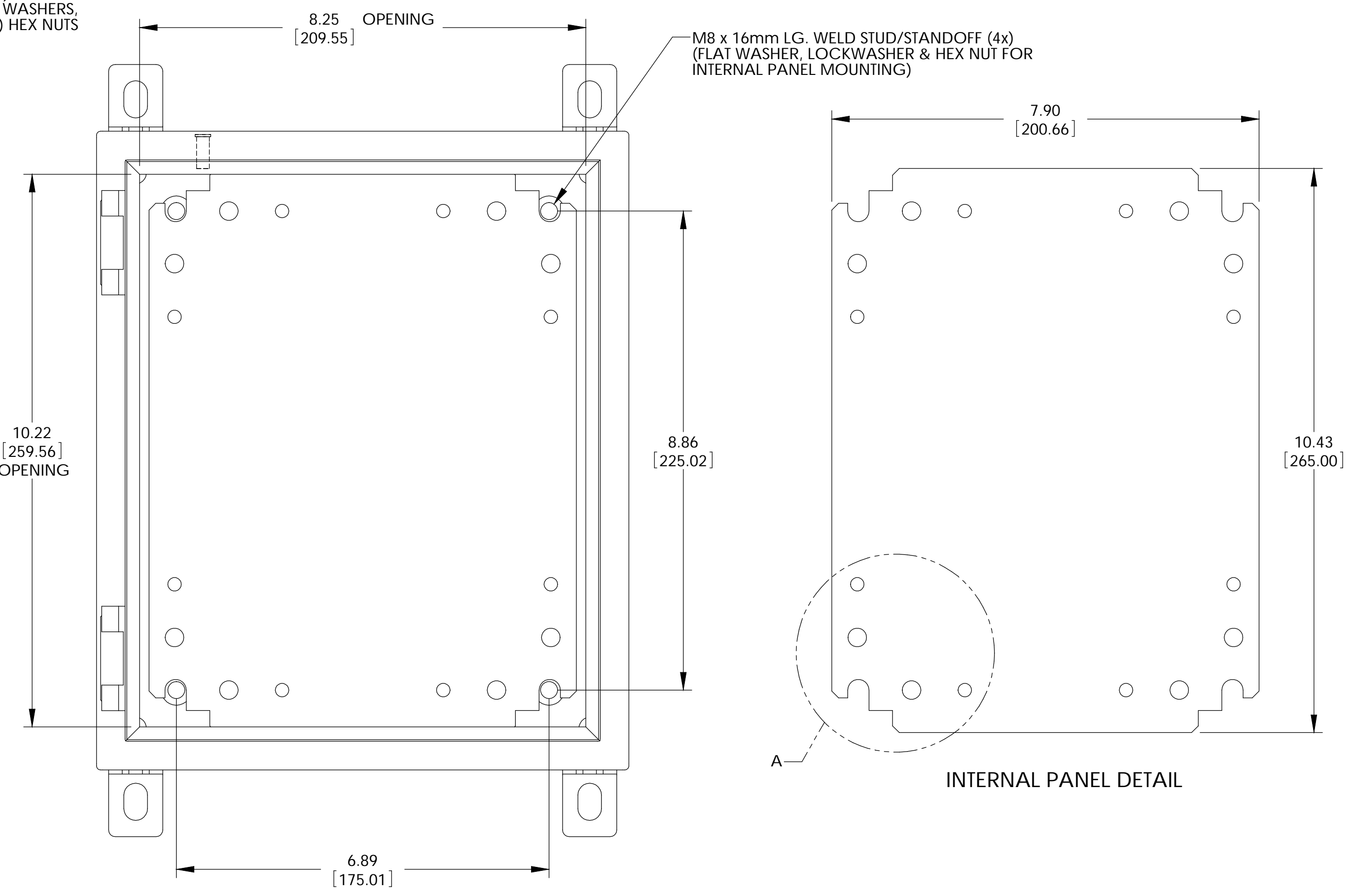


THE INFORMATION CONTAINED IN THIS DRAWING IS THE SOLE PROPERTY OF BUD INDUSTRIES INC. ANY REPRODUCTION IN PART OR WHOLE WITHOUT THE WRITTEN PERMISSION OF BUD INDUSTRIES INC. IS PROHIBITED.

DWG. NO.	SNB-3732
ISSUE	REVISIONS
(A)	PER ECN #10446 1-13-09 BT



WALL MOUNTING BRACKET KIT TO CONTAIN THE FOLLOWING:  
(4) BRACKETS, (4) BOLTS, (4) SEALING WASHERS, (4) FLAT WASHERS, (4) LOCKWASHERS & (4) HEX NUTS



**MATERIAL:**  
 BODY & COVER - 16 GA. [1.5mm] C.R.S.  
 INTERNAL PANEL - 14 GA. [2.0mm] C.R.S.  
 WALL MOUNTING BRACKETS - 14 GA. [2.0mm] STAINLESS STEEL  
 HINGE PINS, STRIKER & HARDWARE - STAINLESS STEEL  
 GASKET - .25 [6.35] THICK NEOPRENE (BLACK) OR EQUIVALENT  
 SEALING WASHERS - BLACK NEOPRENE OR EQUIVALENT

**FINISH:**  
 BODY & COVER - LIGHT GRAY SMOOTH POWDER COAT  
 INTERNAL PANEL - ZINC CHROMATE  
 WALL MOUNTING BRACKETS, HINGE PINS, STRIKER - NATURAL

PARTS LIST	
UNLESS OTHERWISE SPECIFIED ALL DIMENSIONS ARE IN INCHES (MILLIMETERS)	CAD GENERATED DRAWING. DO NOT MANUALLY UPDATE.
TOLERANCES: DECIMALS: .XX, .XXX, .000	APPROVALS: DATE
MATERIAL: AS NOTED	DAB 9-21-07
FINISH: AS NOTED	CHECKED: DATE
DO NOT SCALE DRAWING	APPROVED: DATE

QTY.	USED ON	SCALE	DWG. NO.	REV.
			SNB-3732	
			CAD FILE	